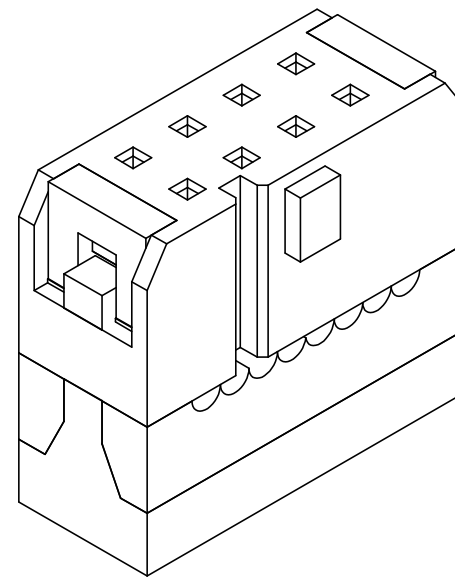


0.413 [10.50]
Terminated Height



IDS-1 **[XX]** - **[D]** - **[02]** - **[XX]** - **[XX]** - **[XXX]** - **[LF]**
(A) **(B)** **(C)** **(D)** **(E)** **(F)** **(G)**

- A. Pins Per Row
 - 3 through 32
- B. Row Specification
 - D= Double Row
- C. Style
 - 02= Black
- D. Plating Options
 - See Plating Options below
- E. Options
 - 01= With strain relief
 - 02= Without strain relief
- F. Polarized position
 - 006-064
- G. Lead free

Mates With:
 SHSTL-1 SHBSTC-1
 SHBSTCM-1 SHTSHC-1
 SHTSHR-1 SHTSHSM-1

Plating options	
F	Gold Flash over Entire Pin
FT	Gold Flash on Contact Area/ Matte Tin on remainder
G	10µ Gold Contact Area
H	30µ Gold Contact Area

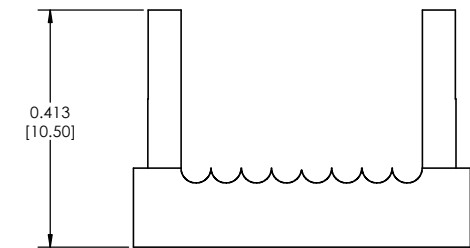
Specifications:
 Current Rating: 1.0 Ampere
 Insulation Resistance: 3000M Ohms Min.
 Dielectric Withstanding: 500V AC for one minute
 Contact Resistance: 30M Ohms Max.
 Operation Temperature: -40°C to +105°C
 Terminated with: .050" [1.27mm] pitch flat ribbon cable

Materials:
 Contact Material: Phosphor Bronze
 Insulator Material: PBT, glass reinforced, rated UL 94V-0

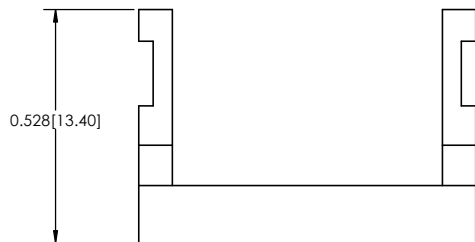
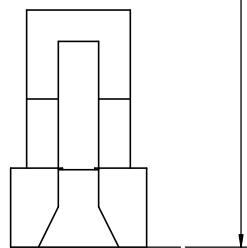
Pins Per Row	Dimensions	
	A	B
3	.485 [12.32]	.200 [5.08]
4	.585 [14.86]	.300 [7.62]
5	.685 [17.40]	.400 [10.16]
6	.785 [19.94]	.500 [12.70]
7	.885 [22.48]	.600 [15.24]
8	.985 [25.02]	.700 [17.78]
9	1.085 [27.56]	.800 [20.32]
10	1.185 [30.10]	.900 [22.86]
11	1.285 [32.64]	1.000 [25.4]
12	1.385 [35.18]	1.100 [27.94]
13	1.485 [37.72]	1.200 [30.48]
15	1.685 [42.80]	1.400 [35.56]
17	1.885 [47.88]	1.600 [40.64]
18	1.985 [50.42]	1.700 [43.18]
19	2.085 [52.96]	1.800 [45.72]
20	2.185 [55.50]	1.900 [48.26]
22	2.385 [60.58]	2.100 [53.34]
24	2.585 [65.66]	2.300 [58.42]

Tails may be clipped to achieve specific dimensions.

Products cut to specific sizes are uncancellable/ nonreturnable.
 Parts are subject to change without notice.



0.567 [14.40]
Terminated Height



PROPRIETARY AND CONFIDENTIAL
 THE INFORMATION CONTAINED IN THIS DRAWING IS THE SOLE PROPERTY OF Major League Electronics. ANY REPRODUCTION IN PART OR AS A WHOLE WITHOUT THE WRITTEN PERMISSION OF Major League Electronics IS PROHIBITED.

UNLESS OTHERWISE SPECIFIED:		NAME		DATE	
DIMENSIONS ARE IN INCHES		DRAWN	EOW	01/23/15	
TOLERANCES:		CHECKED	GWE	01/23/15	
ONE DECIMALS ±.100		ENG APPR.			
TWO DECIMAL ±.010		MFG APPR.			ADDRESS: 2533 Centennial Blvd. Jeffersonton, VA 47130 Phone: 812-670-4174 Fax: 812-670-4175 E-Mail: mle@mlelectronics.com
THREE DECIMAL ±.005		INTERPRET GEOMETRIC TOLERANCING PER:			TITLE: IDS-1 Series
FOUR DECIMAL ±.002		MATERIAL			SIZE DWG. NO. C
NEXT ASSY	USED ON	FINISH			REV B
APPLICATION		DO NOT SCALE DRAWING			SCALE 6:1